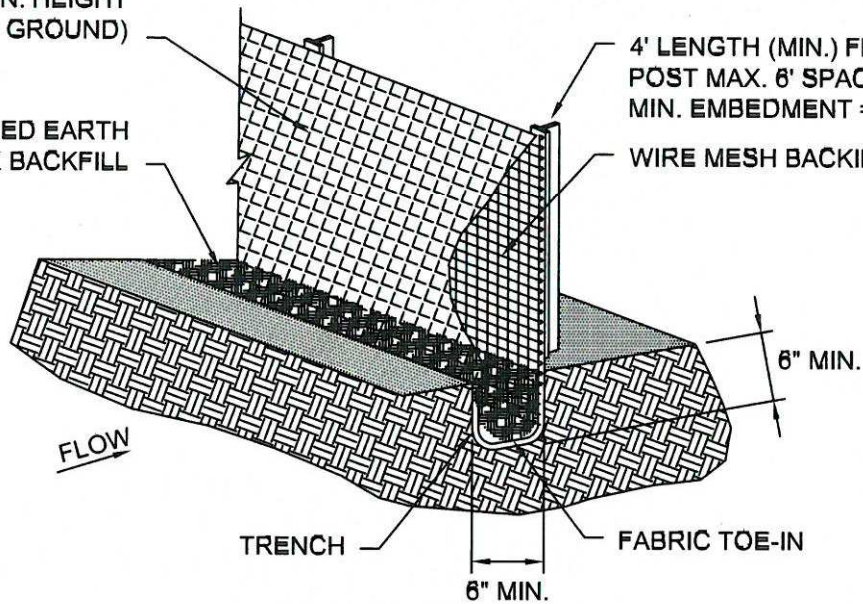


SILT FENCE (MIN. HEIGHT  
24" ABOVE EXIST. GROUND)

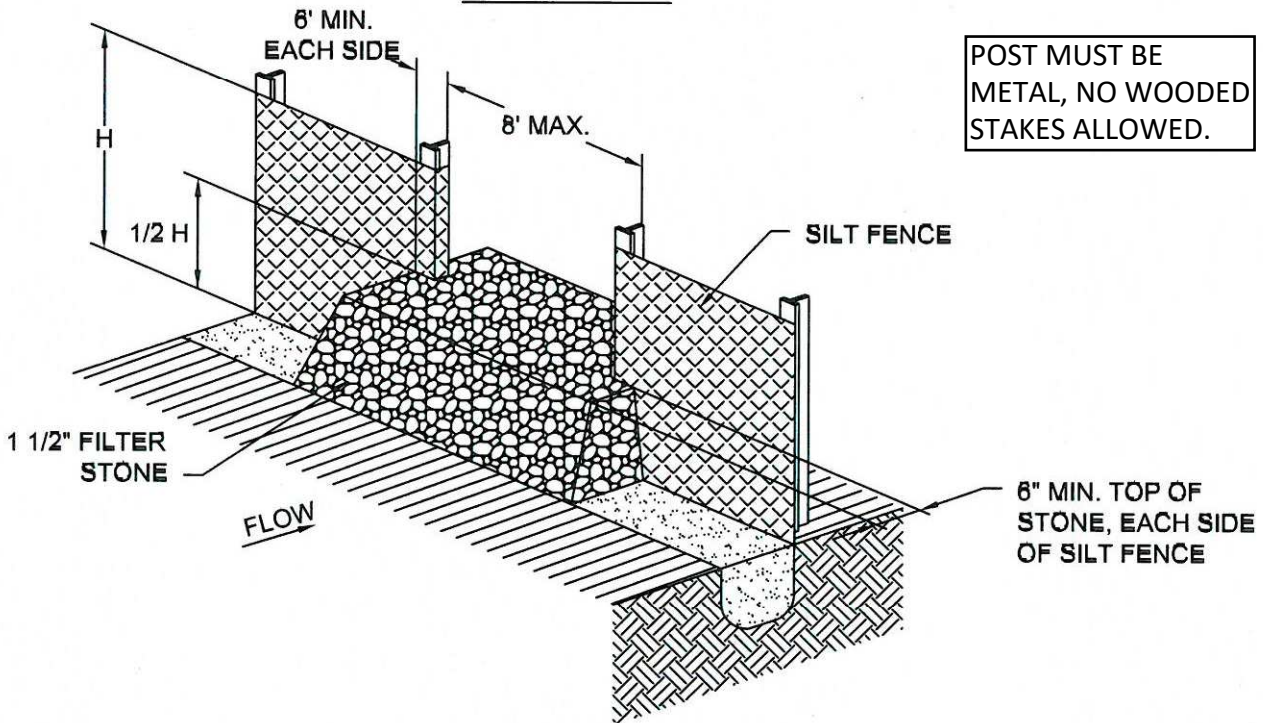
COMPACTED EARTH  
OR ROCK BACKFILL

4' LENGTH (MIN.) FENCE  
POST MAX. 6' SPACING,  
MIN. EMBEDMENT = 1'

WIRE MESH BACKING



**SILT FENCE**



POST MUST BE  
METAL, NO WOODED  
STAKES ALLOWED.

**STONE OVERFLOW STRUCTURE**

SILT FENCE

CITY OF ROCKWALL

STANDARD SPECIFICATION REFERENCE

202.5 \*



DATE

Mar. 2018


STANDARD DRAWING NO.

R-1020A

\*Section II Standard Drawings as of October 2004. Reference number only has been updated for Fifth Edition Specifications. *Public Works Construction Standards North Central Texas, Fifth Edition.*

SILT FENCE GENERAL NOTES:


1. POSTS WHICH SUPPORT THE SILT FENCE SHALL BE INSTALLED ON A SLIGHT ANGLE TOWARD THE ANTICIPATED RUNOFF SOURCE. POST MUST BE EMBEDDED A MINIMUM OF ONE FOOT.
2. THE TOE OF THE SILT FENCE SHALL BE TRENCHED IN WITH A SPADE OR MECHANICAL TRENCHER, SO THAT THE DOWNSLOPE FACE OF THE TRENCH IS FLAT AND PERPENDICULAR TO THE LINE OF FLOW. WHERE FENCE CANNOT BE TRENCHED IN (e.g. PAVEMENT), WEIGHT FABRIC FLAP WITH ROCK ON UPHILL SIDE TO PREVENT FLOW FROM SEEPING UNDER FENCE.
3. THE TRENCH MUST BE A MINIMUM OF 6 INCHES DEEP AND 6 INCHES WIDE TO ALLOW FOR THE SILT FENCE FABRIC TO BE LAID IN THE GROUND AND BACKFILLED WITH COMPACTED MATERIAL.
4. SILT FENCE SHOULD BE SECURELY FASTENED TO EACH SUPPORT POST OR TO WIRE BACKING, WHICH IN TURN IS ATTACHED TO THE FENCE POST. THERE SHALL BE A 3 FOOT OVERLAP, SECURELY FASTENED WHERE ENDS OF FABRIC MEET.
5. INSPECTION SHALL BE AS SPECIFIED IN THE SWPPP. REPAIR OR REPLACEMENT SHALL BE MADE PROMPTLY AS NEEDED.
6. SILT FENCE SHALL BE REMOVED WHEN FINAL STABILIZATION IS ACHIEVED OR ANOTHER EROSION OR SEDIMENT CONTROL DEVICE IS EMPLOYED.
7. ACCUMULATED SILT SHALL BE REMOVED WHEN IT REACHES A DEPTH OF HALF THE HEIGHT OF THE FENCE. THE SILT SHALL BE DISPOSED OF AT AN APPROVED SITE AND IN SUCH A MANNER AS TO NOT CONTRIBUTE TO ADDITIONAL SILTATION.
8. FILTER STONE SHALL BE WRAPPED IN FILTER FABRIC AND BURIED SIX (6") INCHES MINIMUM.

SILT FENCE	CITY OF ROCKWALL	STANDARD SPECIFICATION REFERENCE 202.5 *	
		DATE Mar. 2018	STANDARD DRAWING NO. R-1020B

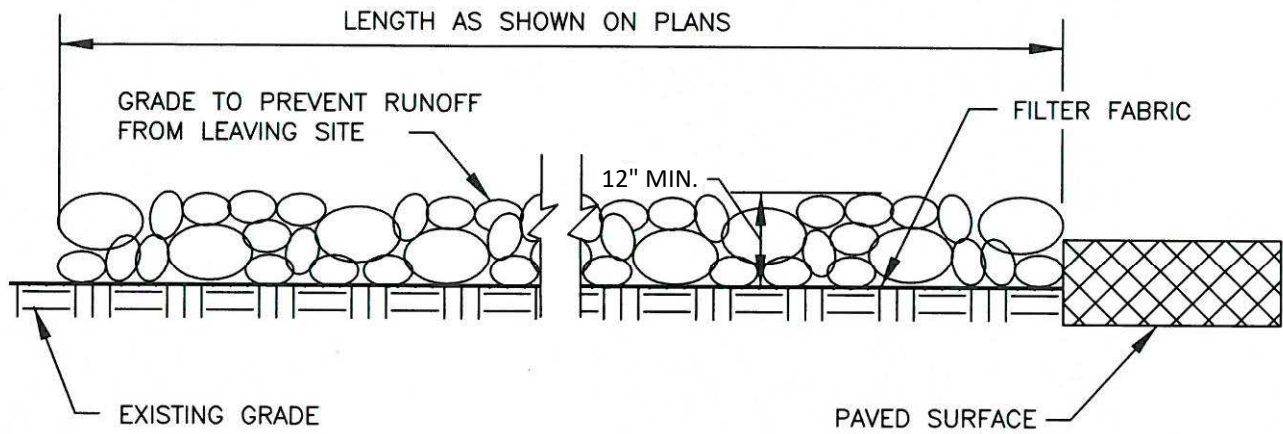
\*Section II Standard Drawings as of October 2004. Reference number only has been updated for Fifth Edition Specifications. *Public Works Construction Standards North Central Texas, Fifth Edition.*

ROCK CHECK DAM GENERAL NOTES:

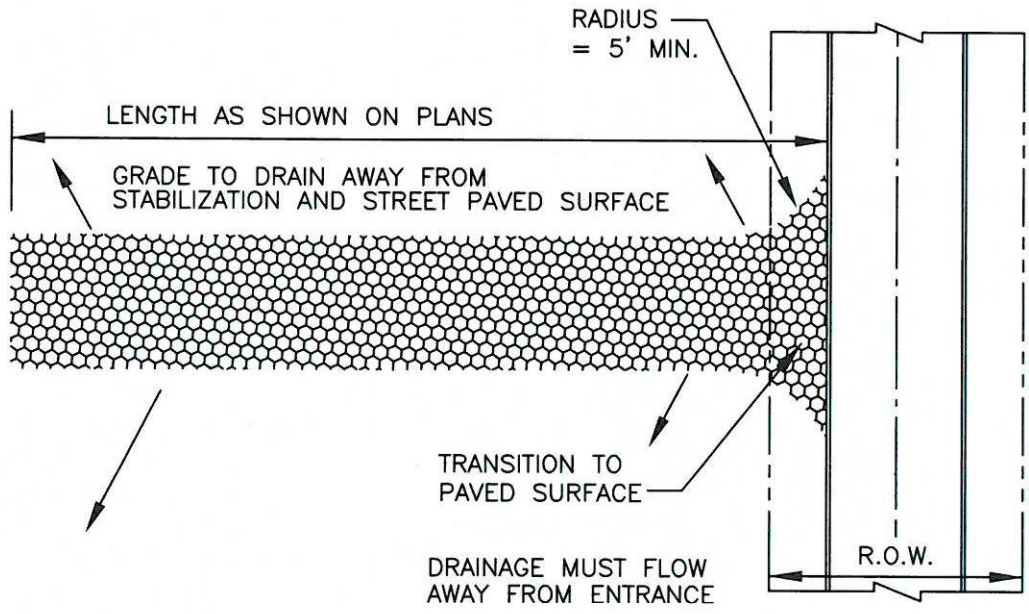
1. STONE SHALL BE WELL GRADED WITH SIZE RANGE FROM 1½ TO 3½ INCHES IN DIAMETER DEPENDING ON EXPECTED FLOWS.
2. THE CHECK DAM SHALL BE INSPECTED AS SPECIFIED IN THE SWPPP AND SHALL BE REPLACED WHEN THE STRUCTURE CEASES TO FUNCTION AS INTENDED DUE TO SILT ACCUMULATION AMONG THE ROCKS, WASHOUT, CONSTRUCTION TRAFFIC DAMAGE, ETC.
3. WHEN SILT REACHES A DEPTH EQUAL TO ONE-THIRD OF THE HEIGHT OF THE CHECK DAM OR ONE FOOT, WHICHEVER IS LESS, THE SILT SHALL BE REMOVED AND DISPOSED OF PROPERLY.
4. WHEN THE SITE HAS ACHIEVED FINAL STABILIZATION OR ANOTHER EROSION OR SEDIMENT CONTROL DEVICE IS EMPLOYED, THE CHECK DAM AND ACCUMULATED SILT SHALL BE REMOVED AND DISPOSED OF IN AN APPROVED MANNER.
5. FILTER STONE SHALL BE WRAPPED IN APPROPRIATE SIZED WIRE MESH TO CONTAIN STONE AND BURIED SIX (6") INCHES MINIMUM.

ROCK CHECK DAM	CITY OF ROCKWALL 	STANDARD SPECIFICATION REFERENCE 202.9 *	
		DATE Mar. 2018	STANDARD DRAWING NO. R-1060B

\*Section II Standard Drawings as of October 2004. Reference number only has been updated for Fifth Edition Specifications. *Public Works Construction Standards North Central Texas, Fifth Edition.*




PROFILE VIEW  
N.T.S.



PLAN VIEW  
N.T.S.


Note: No crushed concrete or recycled concrete allowed.

<p>STABILIZED CONSTRUCTION ENTRANCE</p>	<p>CITY OF ROCKWALL</p> 	<p>STANDARD SPECIFICATION REFERENCE 202.11 *</p>	
		<p>DATE Mar. 2018</p>	<p>STANDARD DRAWING NO. R-1070A</p>

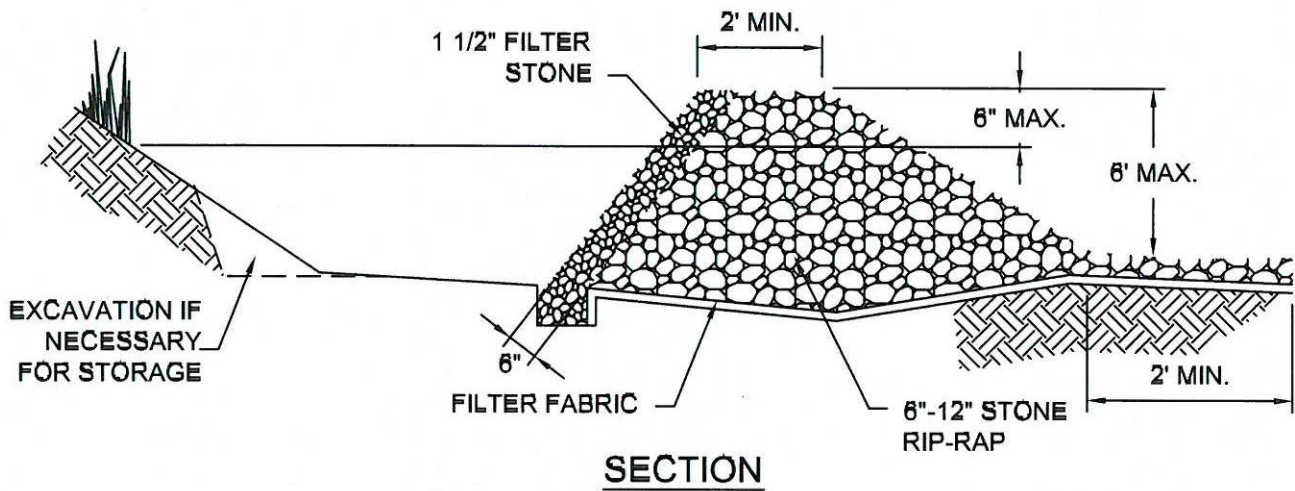
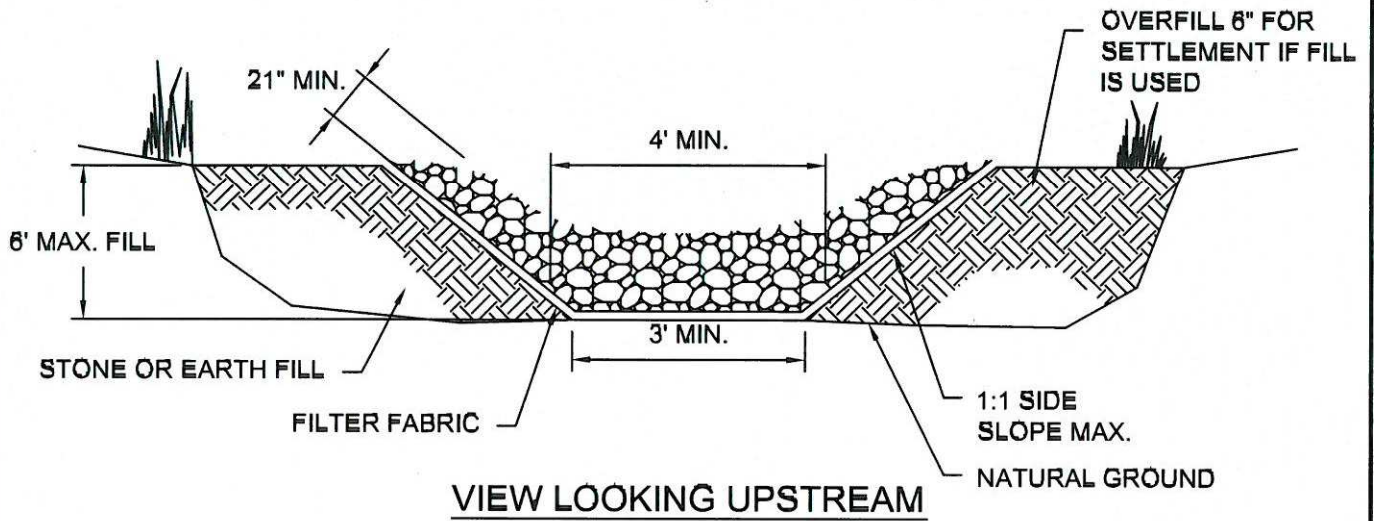
\*Section II Standard Drawings as of October 2004. Reference number only has been updated for Fifth Edition Specifications. *Public Works Construction Standards North Central Texas, Fifth Edition.*

STABILIZED CONSTRUCTION ENTRANCE GENERAL NOTES:

1. STONE SHALL BE 4 TO 6 INCH DIAMETER COARSE AGGREGATE.
2. MINIMUM LENGTH SHALL BE 50 FEET AND WIDTH SHALL BE 20 FEET.
3. THE THICKNESS SHALL NOT BE LESS THAN 12 INCHES.
4. THE WIDTH SHALL BE NO LESS THAN THE FULL WIDTH OF ALL POINTS OF INGRESS OR EGRESS.
5. WHEN NECESSARY, VEHICLES SHALL BE CLEANED TO REMOVE SEDIMENT PRIOR TO ENTRANCE ONTO A PUBLIC ROADWAY. WHEN WASHING IS REQUIRED, IT SHALL BE DONE ON AN AREA STABILIZED WITH CRUSHED STONE WITH DRAINAGE FLOWING AWAY FROM BOTH THE STREET AND THE STABILIZED ENTRANCE. ALL SEDIMENT SHALL BE PREVENTED FROM ENTERING ANY STORM DRAIN, DITCH OR WATERCOURSE USING APPROVED METHODS.
6. THE ENTRANCE SHALL BE MAINTAINED IN A CONDITION WHICH WILL PREVENT TRACKING OR FLOWING OF SEDIMENT ONTO PAVED SURFACES. THIS MAY REQUIRE PERIODIC TOP DRESSING WITH ADDITIONAL STONE AS CONDITIONS DEMAND. ALL SEDIMENT SPILLED, DROPPED, WASHED, OR TRACKED ONTO PAVED SURFACES MUST BE REMOVED IMMEDIATELY.
7. THE ENTRANCE MUST BE PROPERLY GRADED OR INCORPORATE A DRAINAGE SWALE TO PREVENT RUNOFF FROM LEAVING THE CONSTRUCTION SITE.
8. PREVENT SHORTCUTTING OF THE FULL LENGTH OF THE CONSTRUCTION ENTRANCE BY INSTALLING BARRIERS AS NECESSARY.
9. INSPECTION SHALL BE AS SPECIFIED IN THE SWPPP.
10. NO CRUSHED OR RECYCLED CONCRETE ALLOWED.

STABILIZED CONSTRUCTION	CITY OF ROCKWALL	STANDARD SPECIFICATION REFERENCE	
		202.11 *	
ENTRANCE		DATE	STANDARD DRAWING NO.
		Mar. 2018	R-1070B

\*Section II Standard Drawings as of October 2004. Reference number only has been updated for Fifth Edition Specifications. *Public Works Construction Standards North Central Texas, Fifth Edition.*



NOTE: FILTER STONE SHALL BE WRAPPED IN APPROPRIATE SIZED WIRE MESH TO CONTAIN STONE.

STONE OUTLET  
SEDIMENT TRAP

CITY OF ROCKWALL



STANDARD SPECIFICATION REFERENCE

202.12 \*

DATE

Mar. 2018

STANDARD DRAWING NO.

R-1090

\*Section II Standard Drawings as of October 2004. Reference number only has been updated for Fifth Edition Specifications. *Public Works Construction Standards North Central Texas, Fifth Edition.*